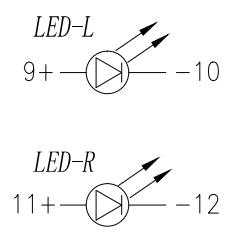
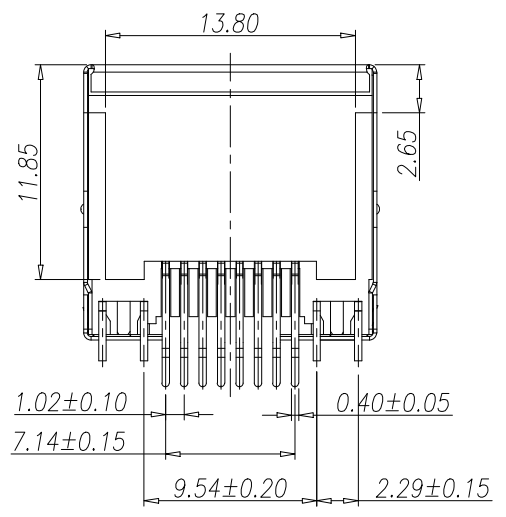
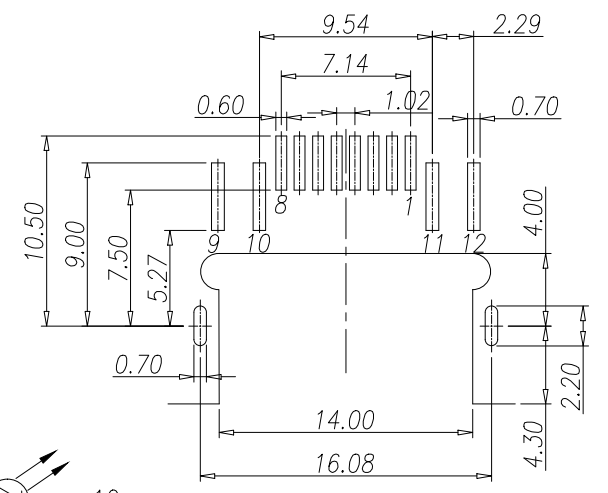
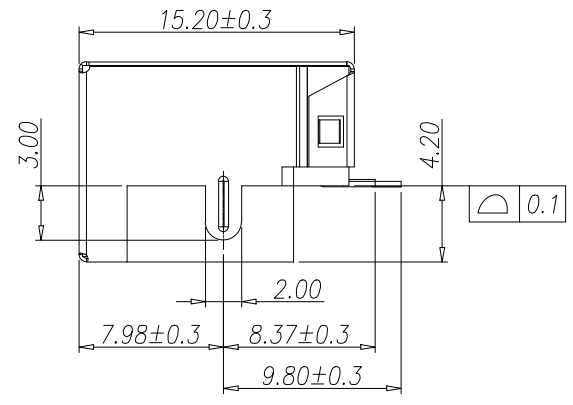
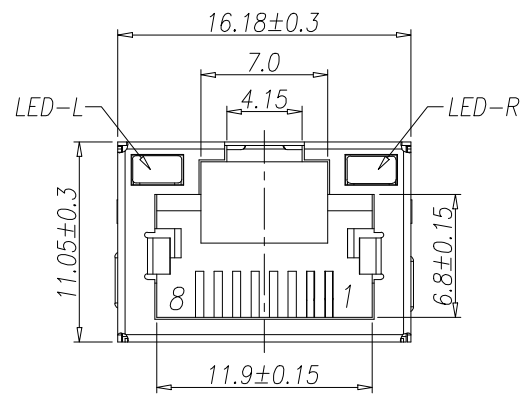


4	3	2	1
CATEGORY	DESCRIPTION	P/N #	
CONNECTOR	Modular Jack, 8P8C, Straddle DIP		

REV.	ECN NO	DESCRIPTION	REVISED	DATE
A01	—	New Release	XSY	2015.01.22
A02	—	变更料号, 新增包装选项	XSY	2016.05.30

SPECIFICATIONS:

- RJ Electrical Characteristics
 - 1-1: Voltage: 150V AC RMS
 - 1-2: Current Rating: 1.5A
 - 1-3: Contact Resistance: 40mΩ MAX.
 - 1-4: Insulation Resistance: 500MΩ MIN.
 - 1-5: Dielectric Withstang Voltage :1000V AC
 - 1-6: Operature Temperature: -40°C~80°C



Recommend PCB Layout
(Jack Top View)
Tolerance: ±0.05mm

Coorle 库乐科技

e	LED-R	1	See Table 2	Tin Plating	UNLESS OTHERWISE SPECIFIED TOLERANCES	SCALE:1/1	UNIT: mm	DWG.NO:	
d	LED-L	1	See Table 2	Tin Plating		SIZE: A3	PAGE:1 OF 1	REV:A02	
c	Shielding	1	Brass, T=0.2mm	Ni Plating		APPROVED BY	CHECKED BY		PREPARED BY
b	Terminal	8	Phosphor Bronze, T=0.3mm	See Table 1		DICK	XSY		LCZ
a	Housing	1	LCP UL94V-0	Black		CUSTOMER COPY			
NO.	PART NAME	Q'TY	MATERIAL	PLATING & COLOR	DECIMALS: X :±0.5 X.X :±0.3 X.XX :±0.2	ANGLES: X :±2° X.X :±1°			